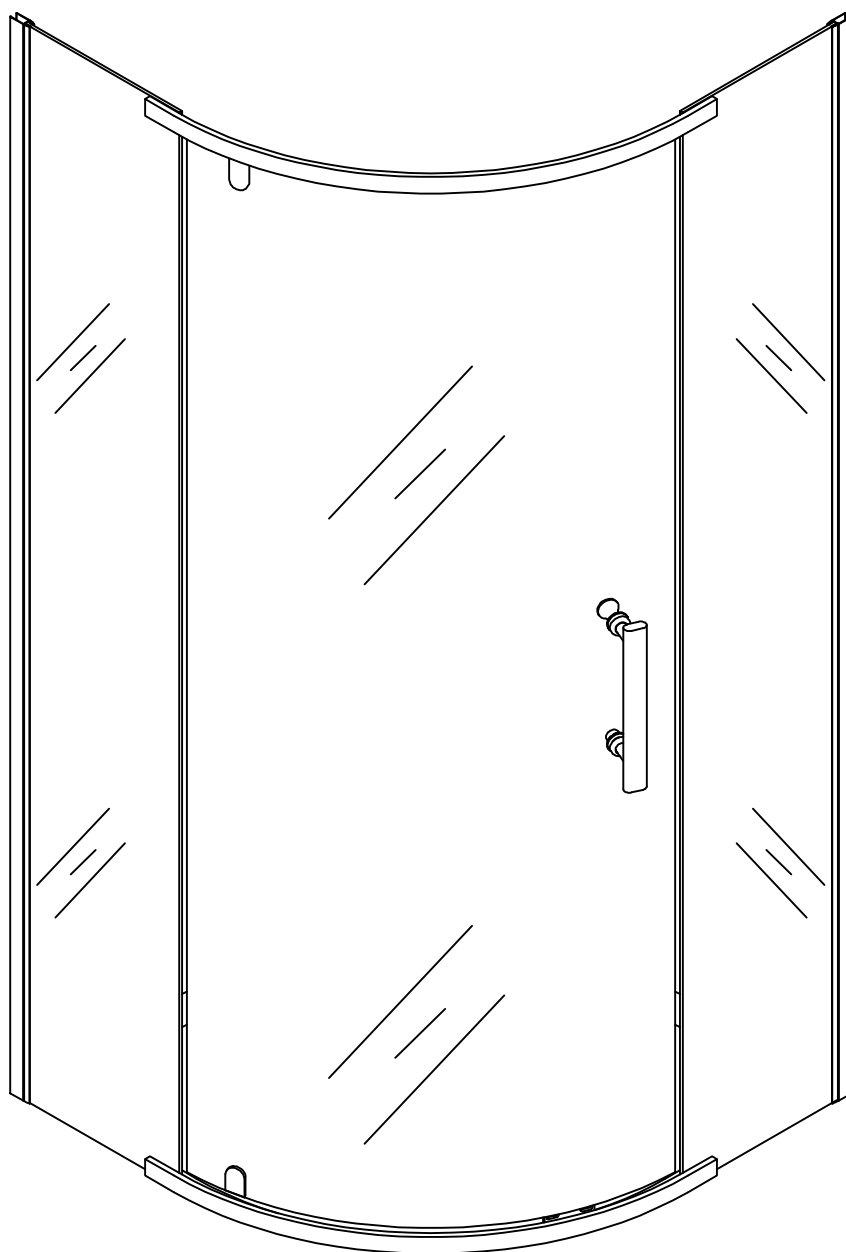
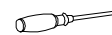


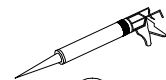
GALR9090/M



A



B



C



D



E



F



G

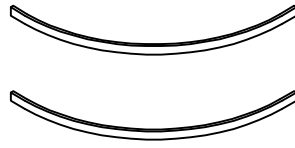


H

1/2



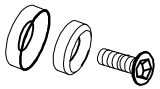
[1]x2



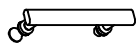
[2]x2



[3]x4



[4]x8



[5]x1



[6]x6



[7]x6



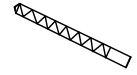
[8]x8



[9]x8



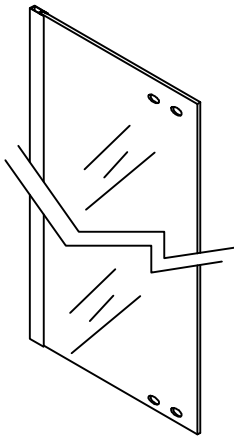
[10]x1



φ2.8

[11]x1

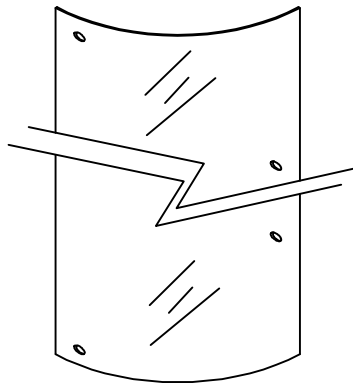
2/2



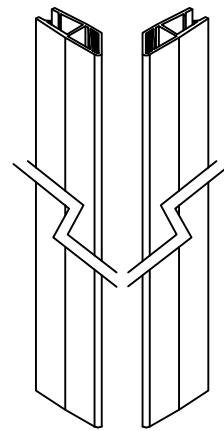
[12]x2



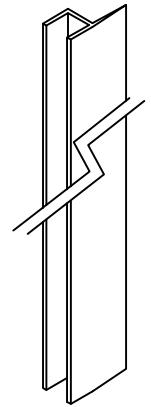
[13]x2



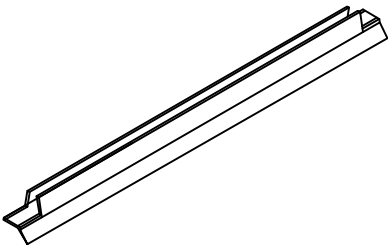
[14]x1



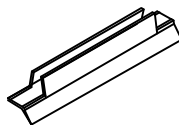
[15]x1



[16]x1



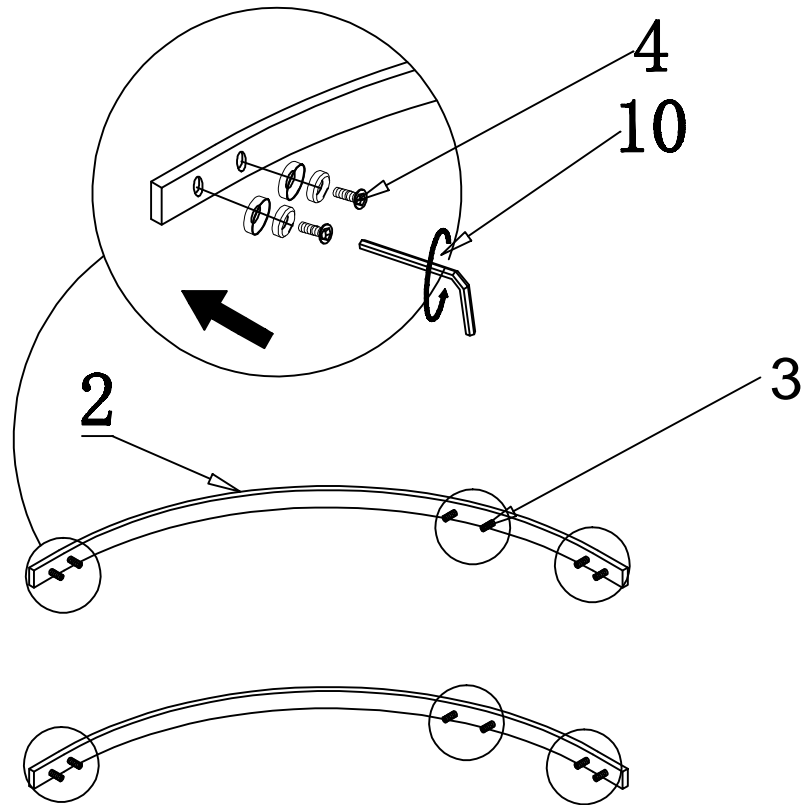
[17]x1



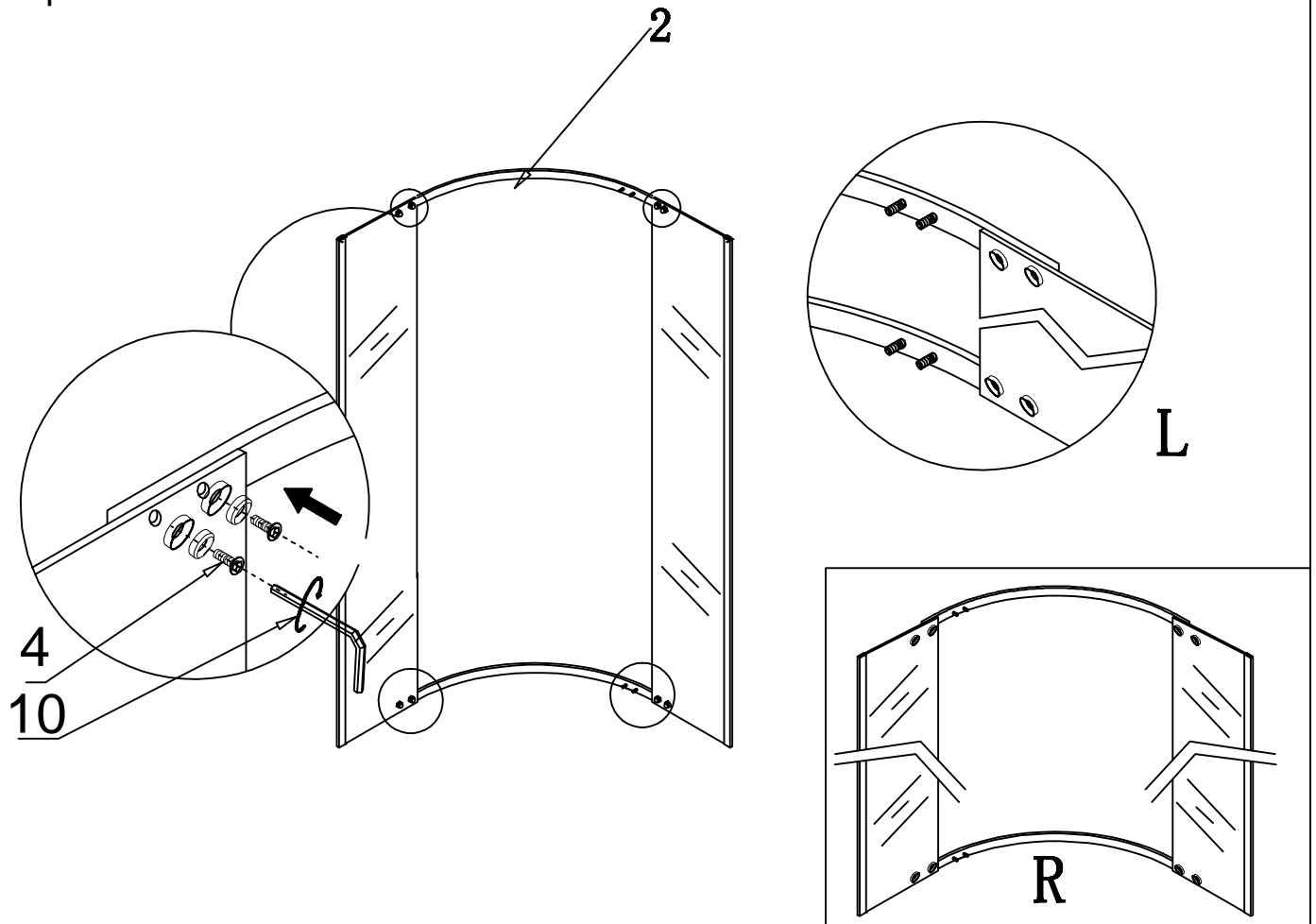
[18]x1

1

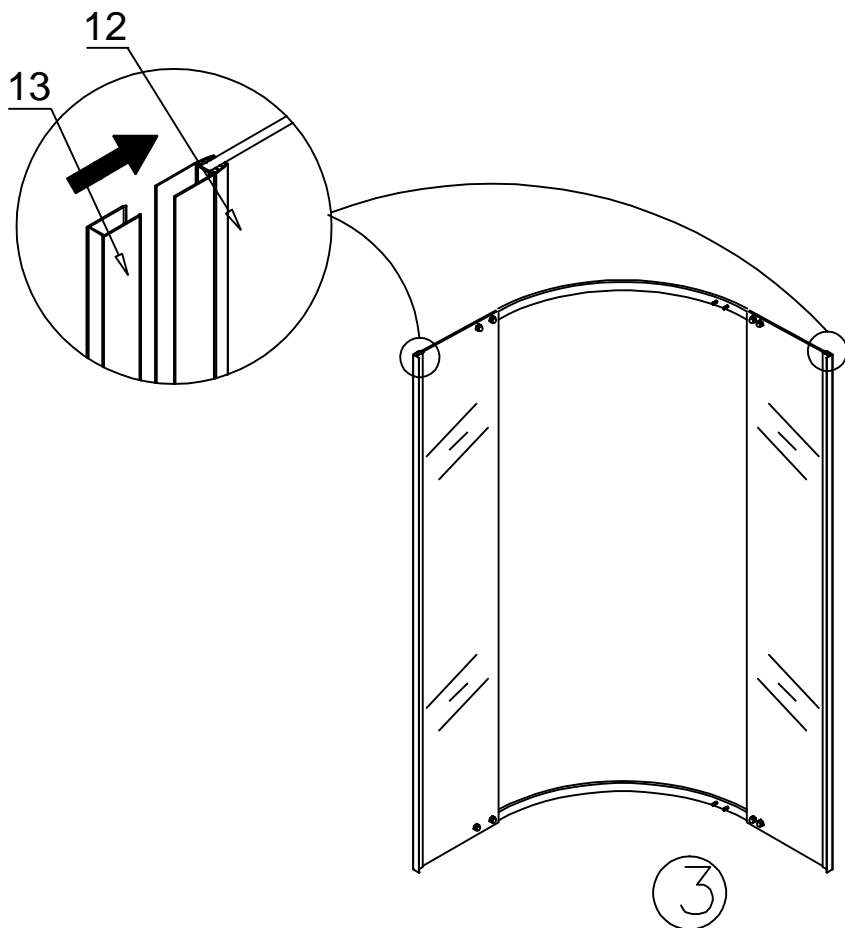
step1



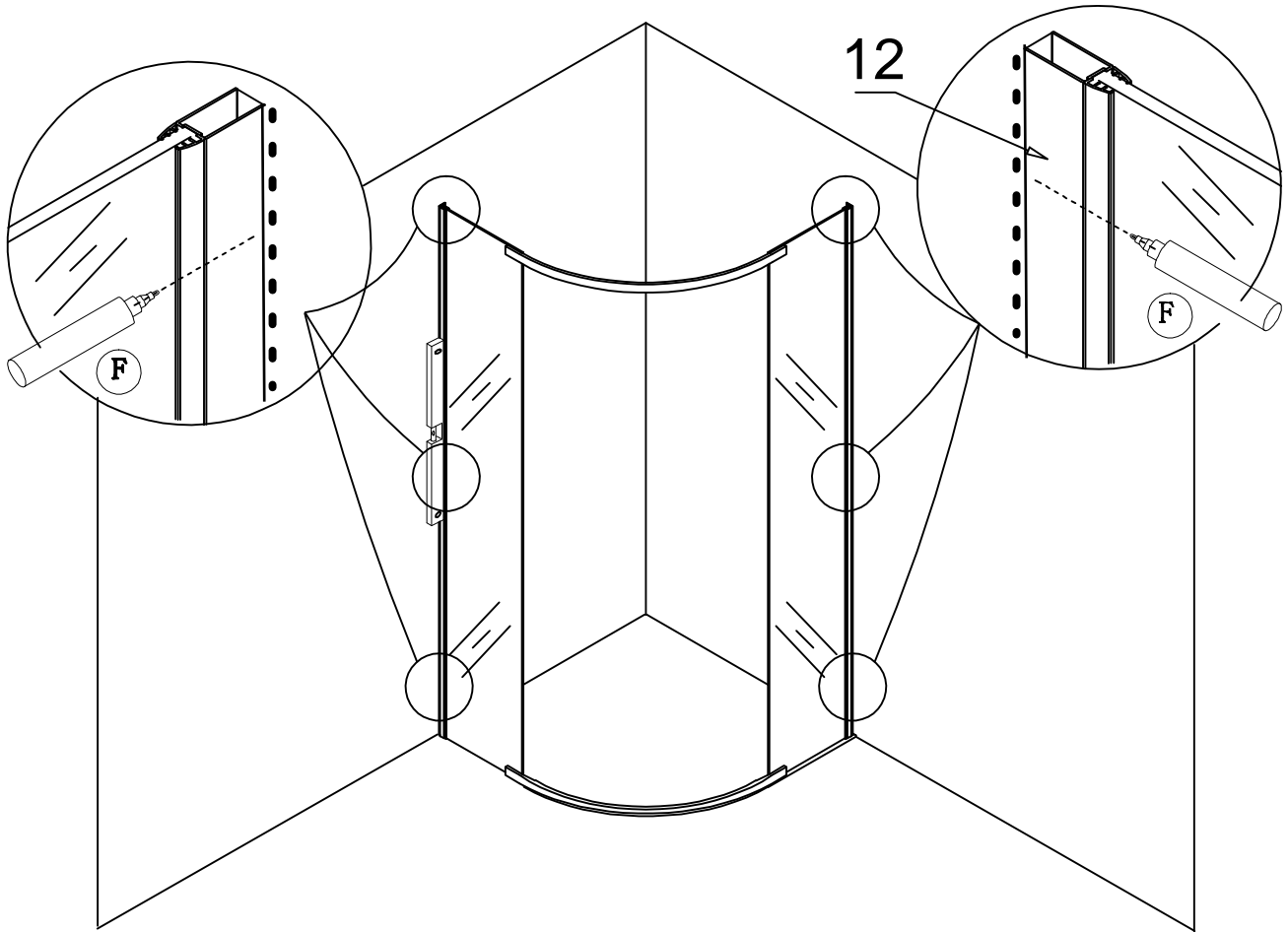
step2



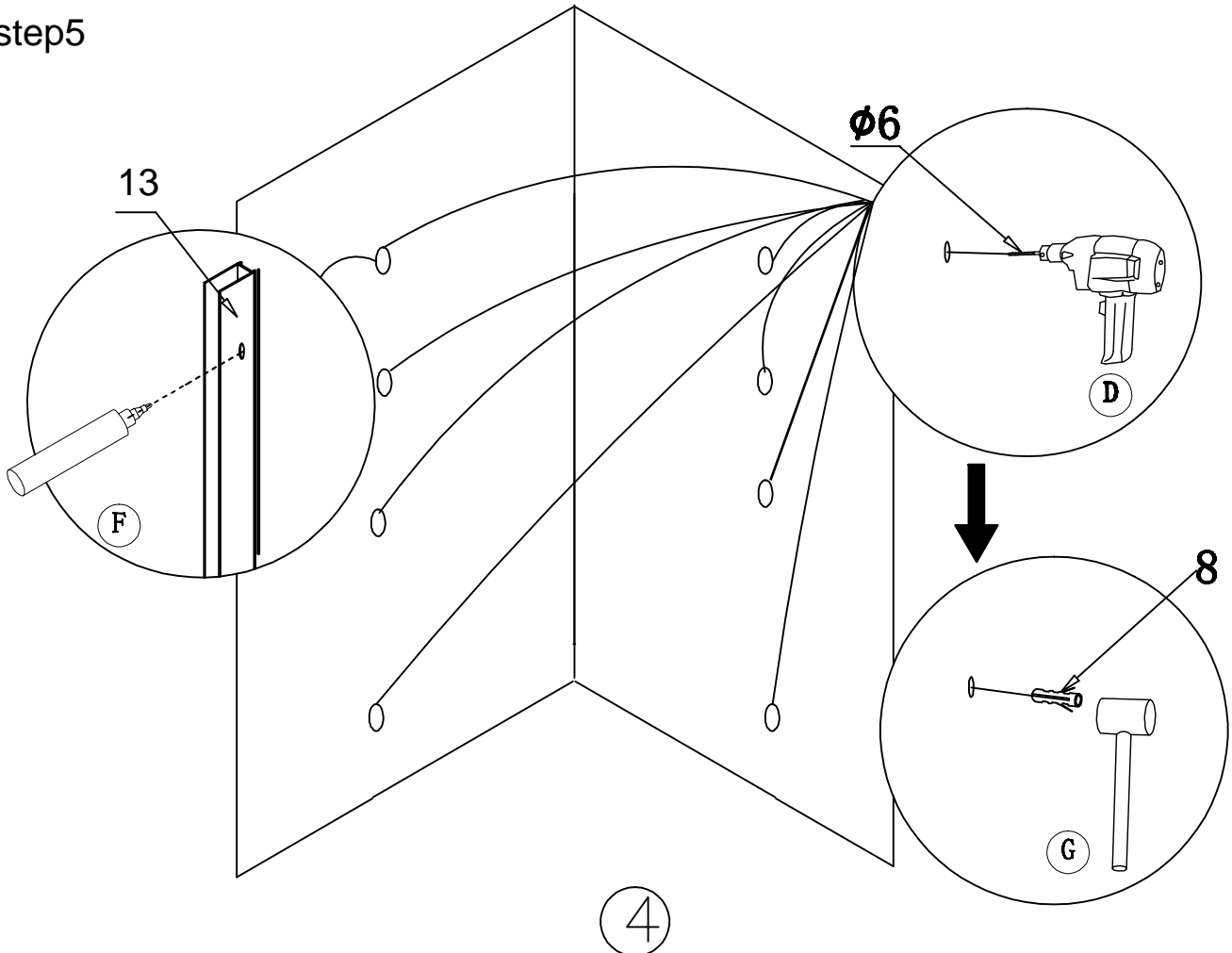
step3



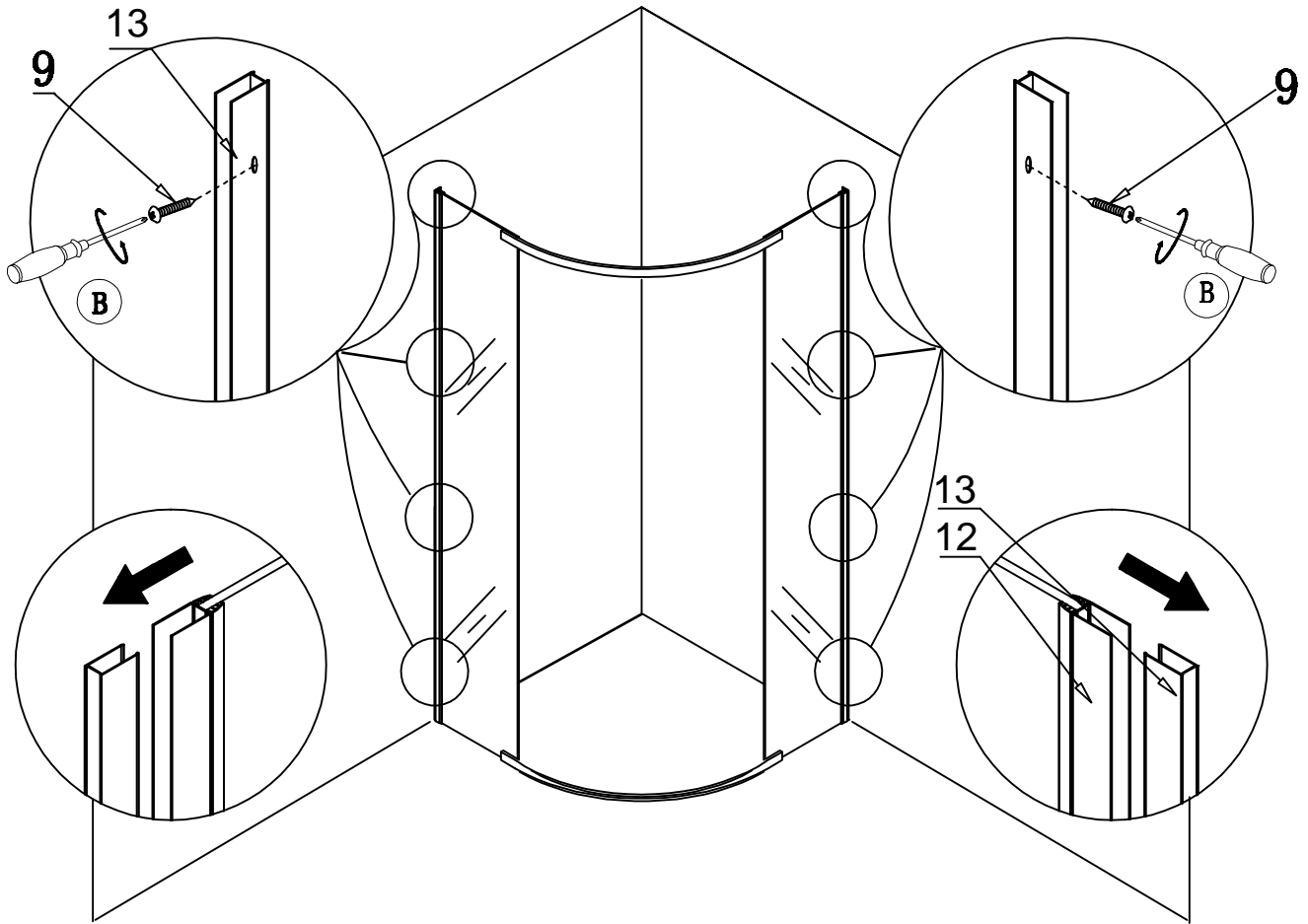
step4



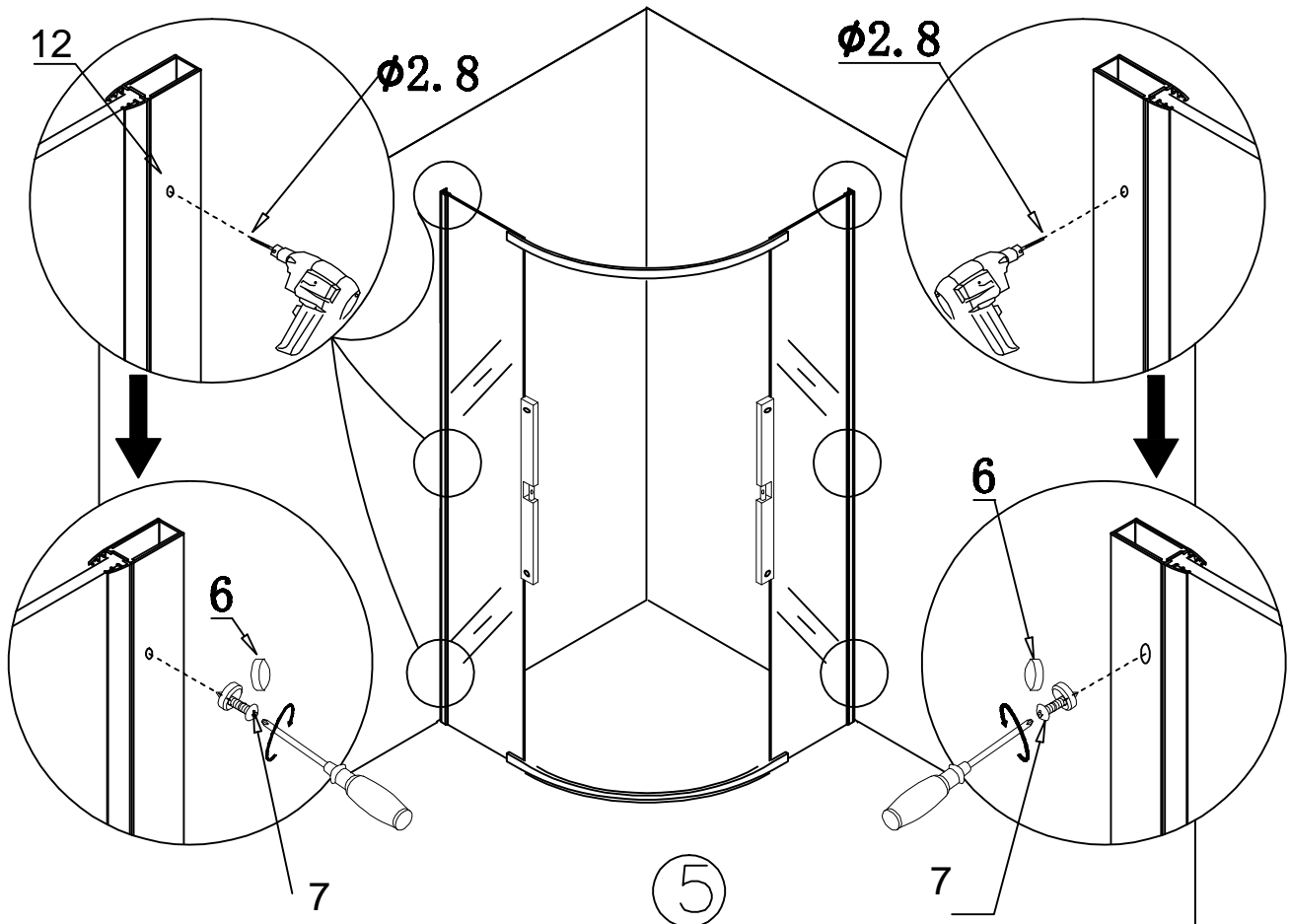
step5



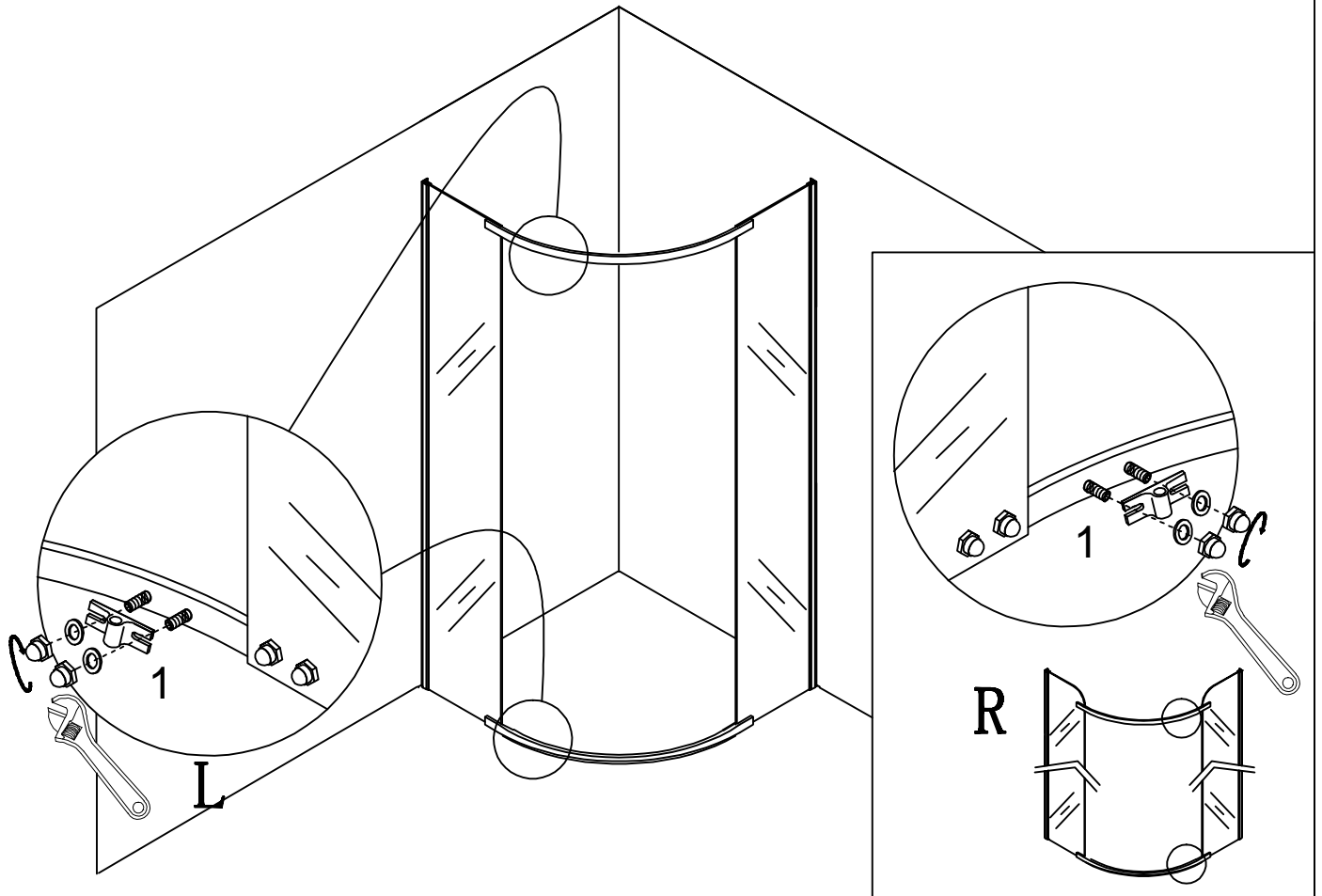
step6



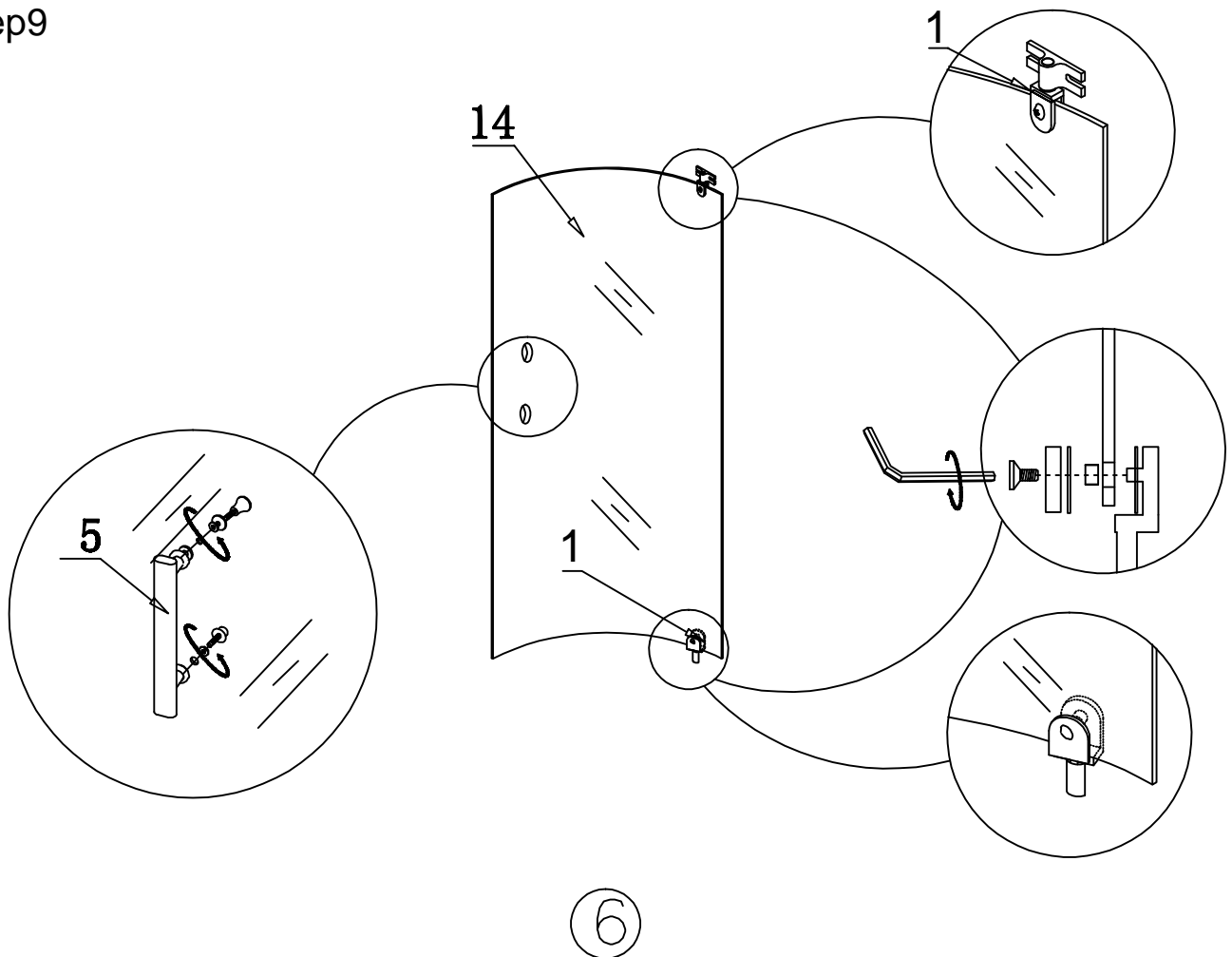
step7



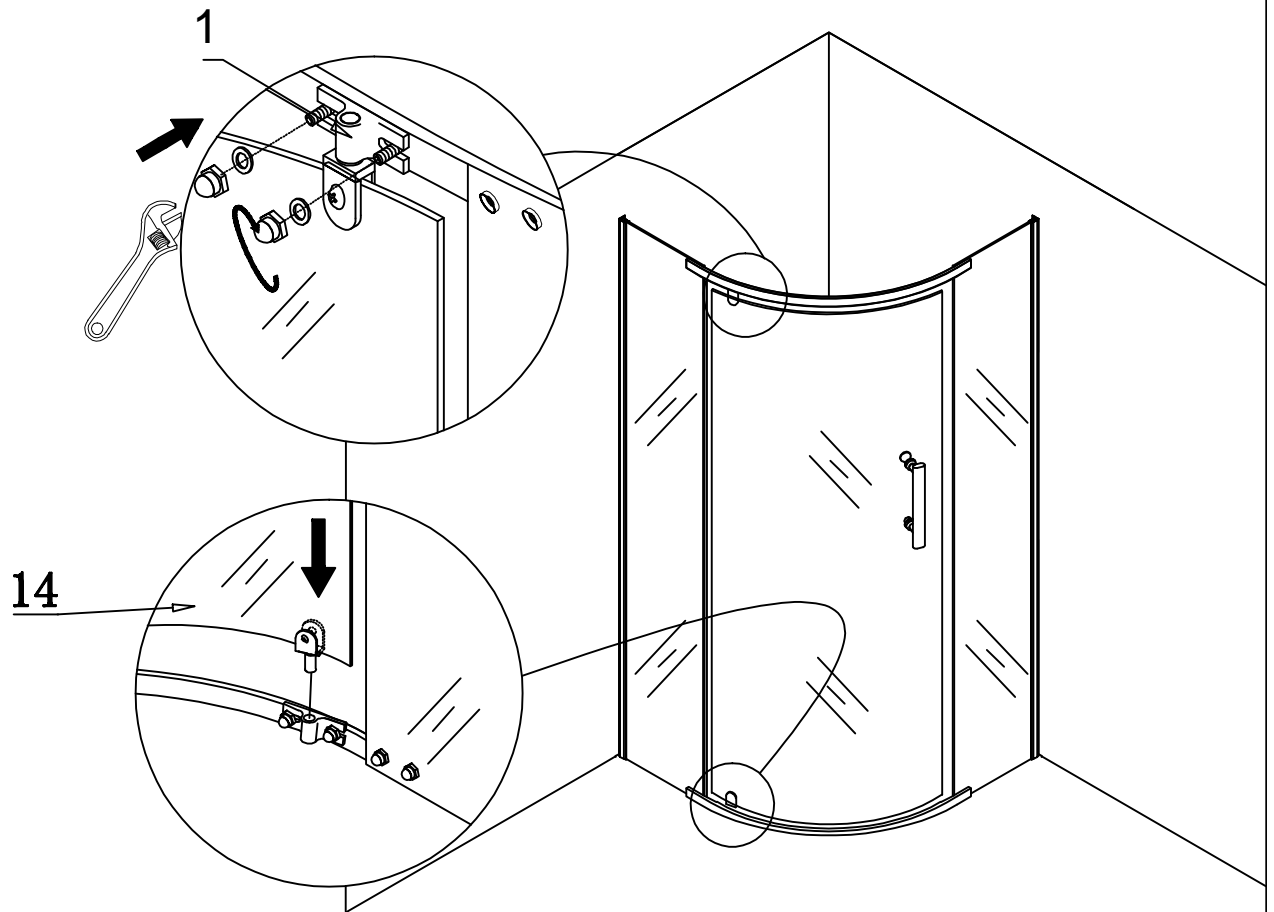
step8



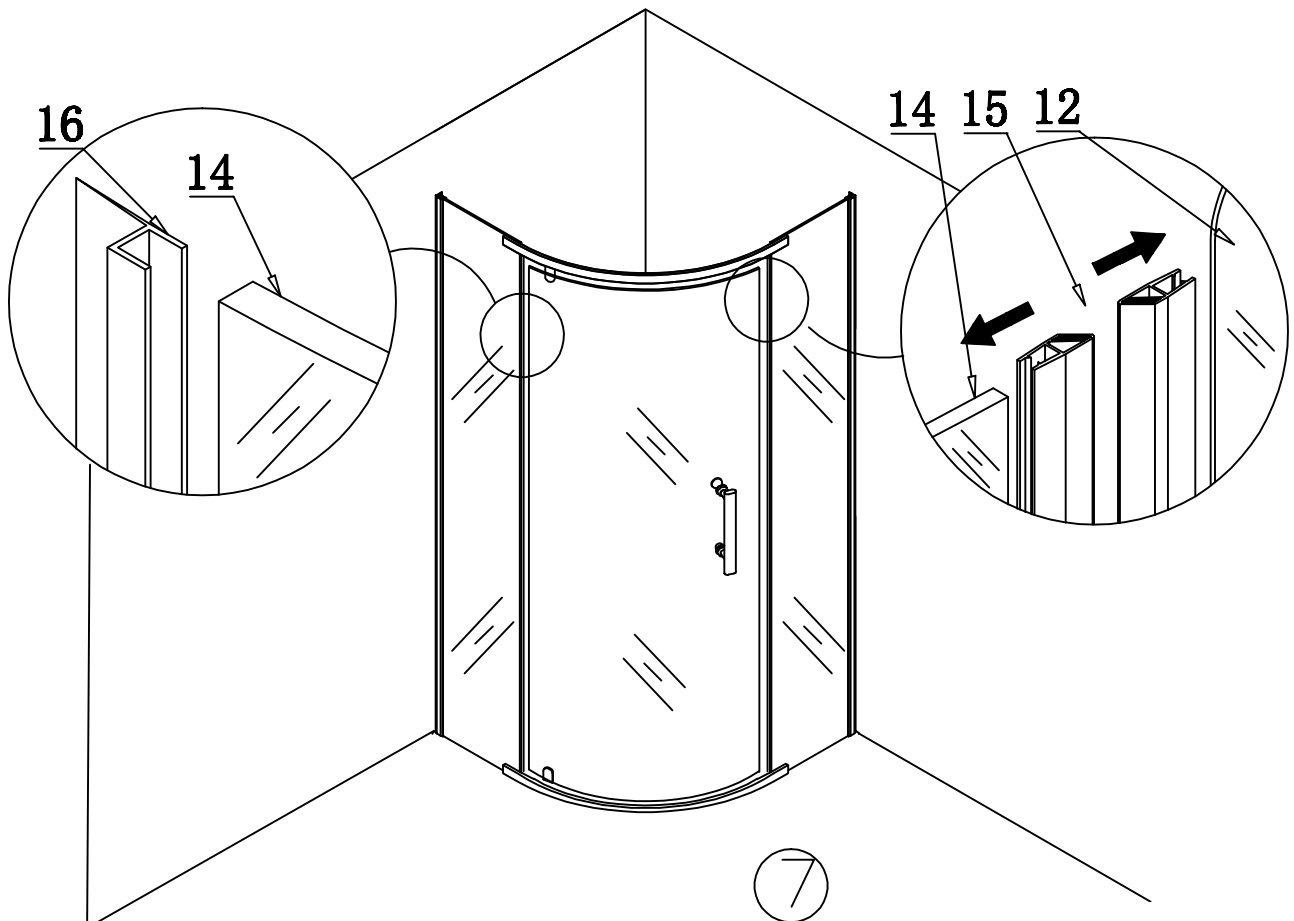
step9



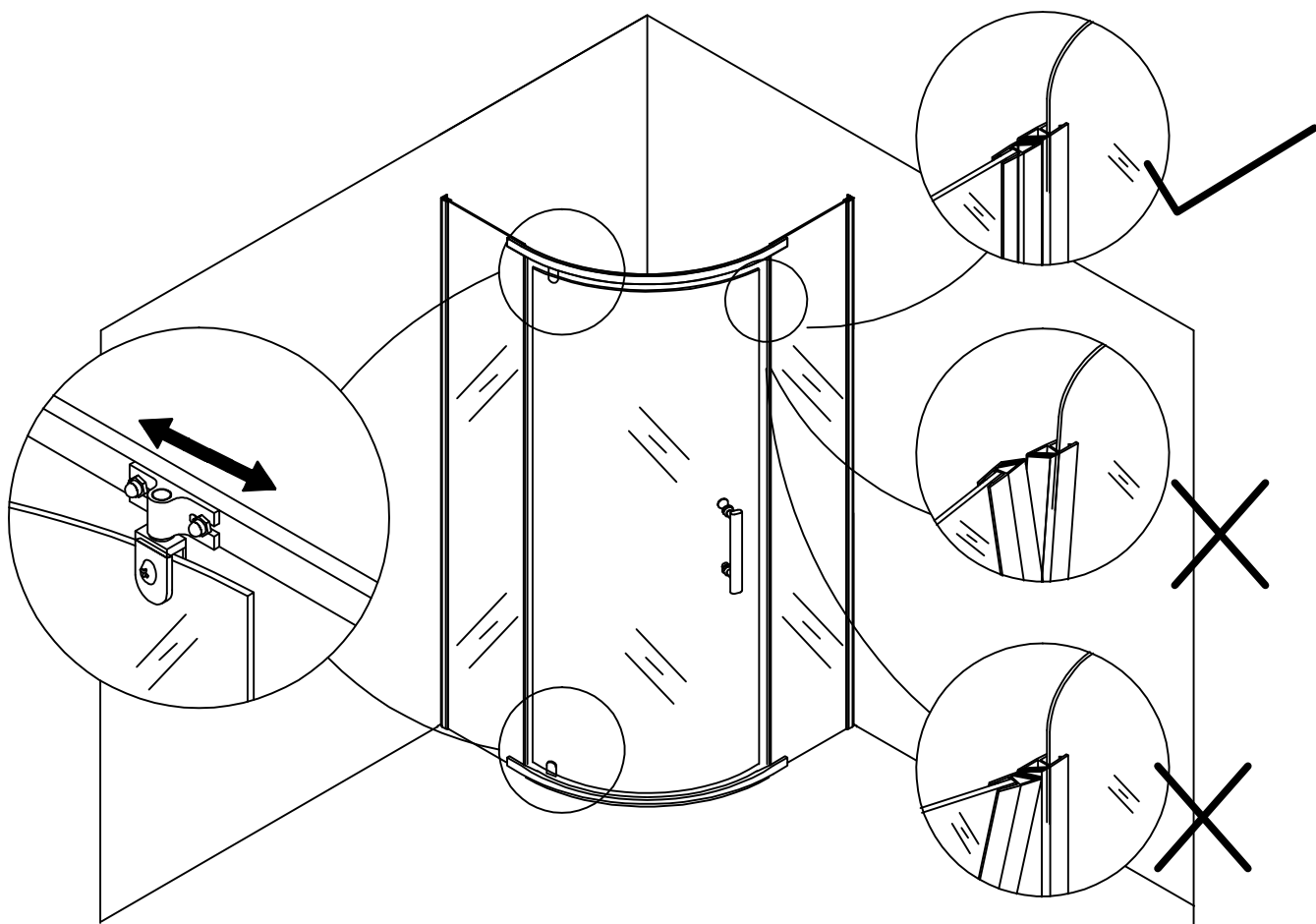
step10



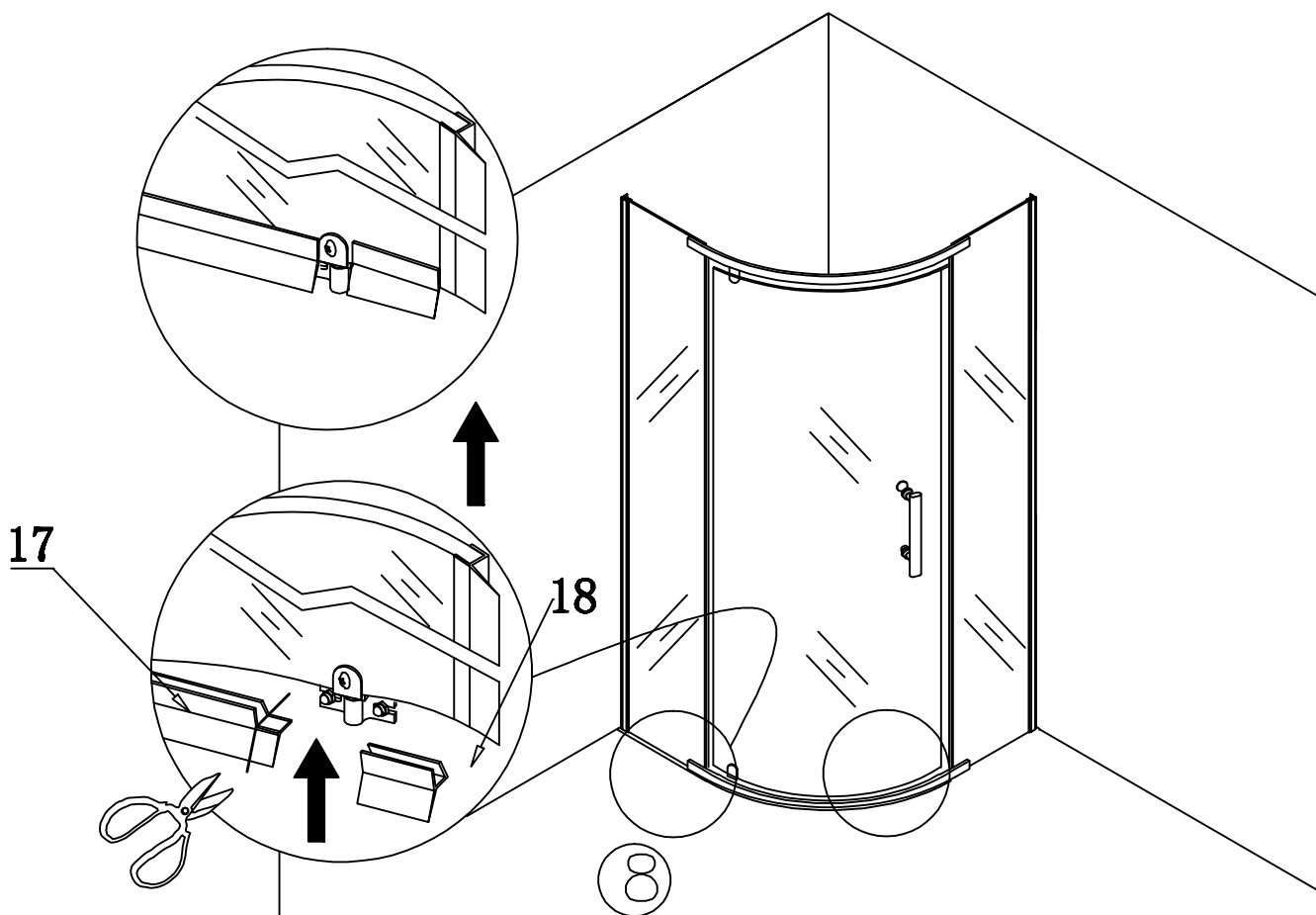
step11



step12



step13



step14

