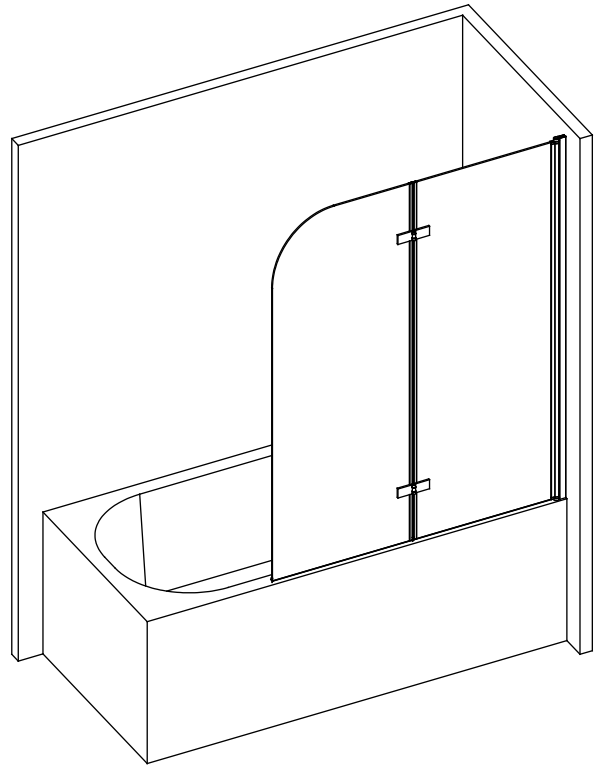
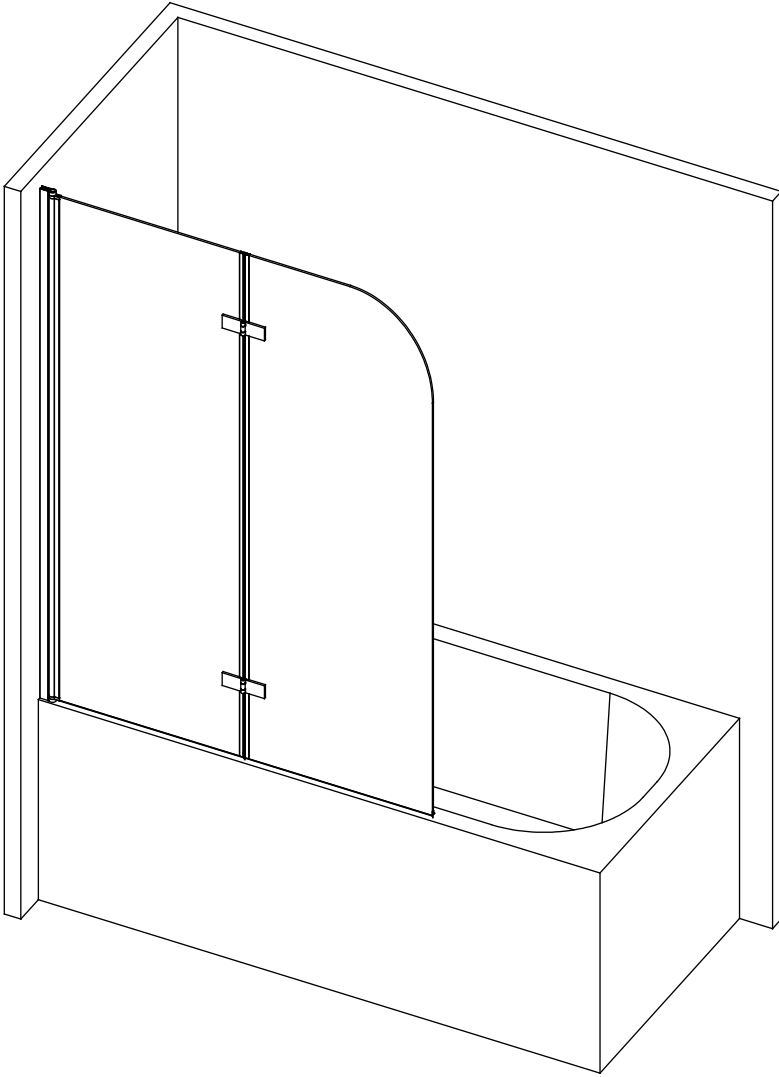
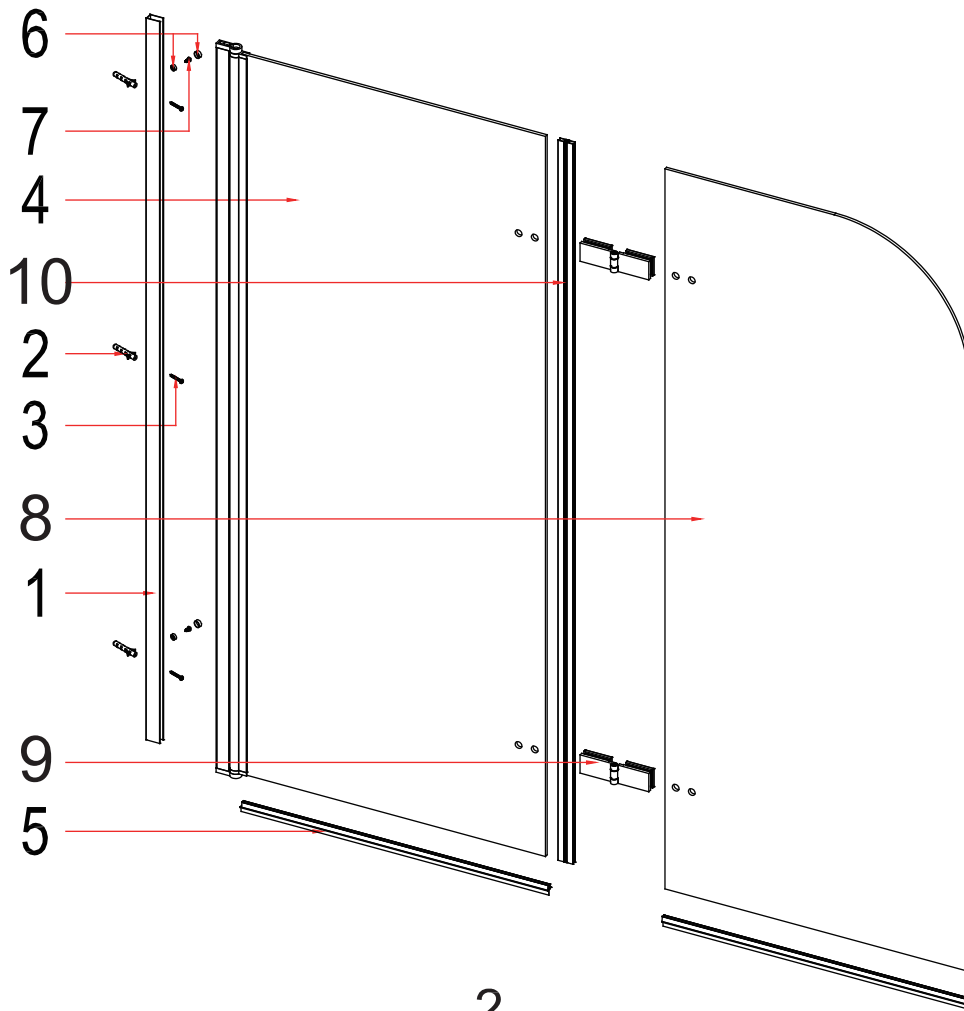
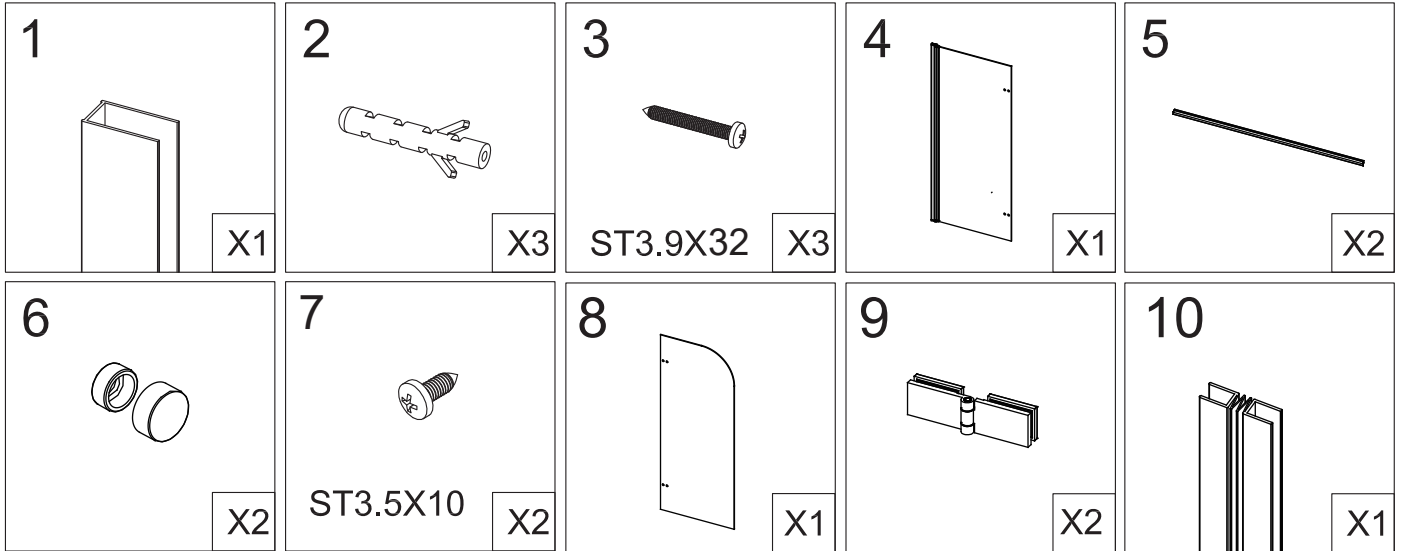
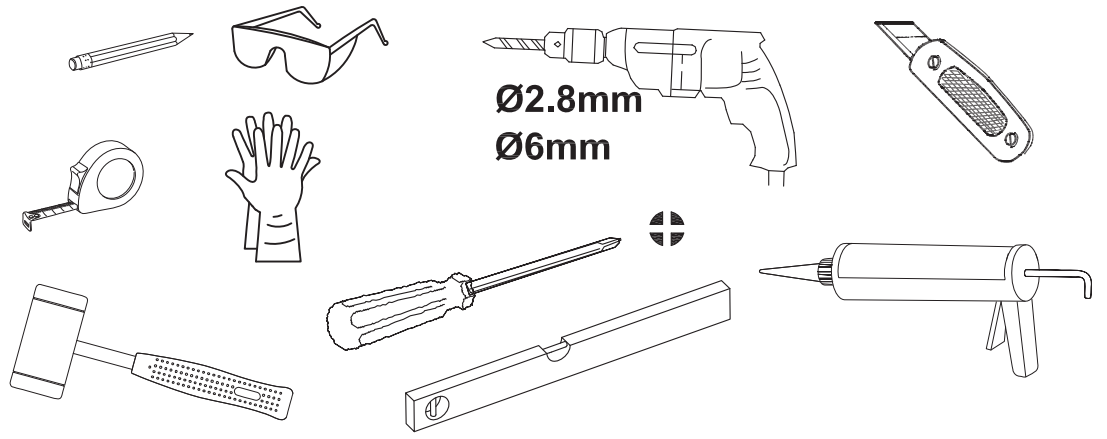
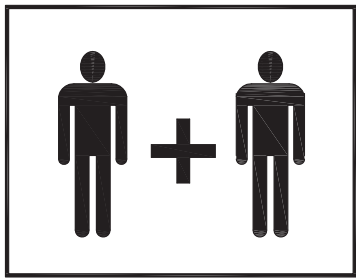
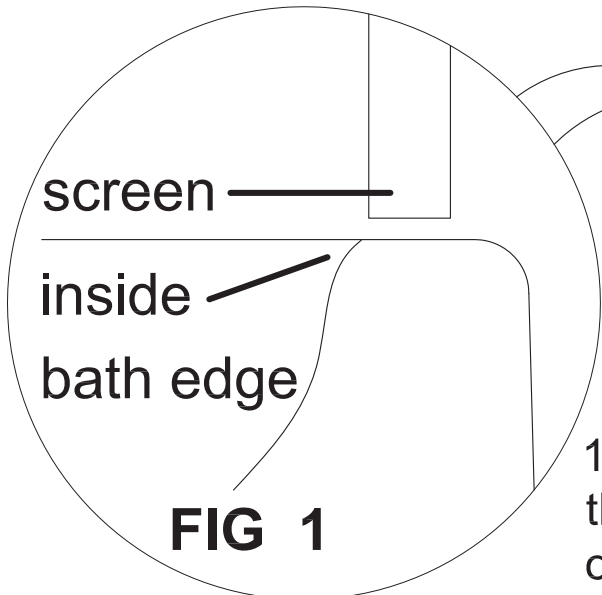
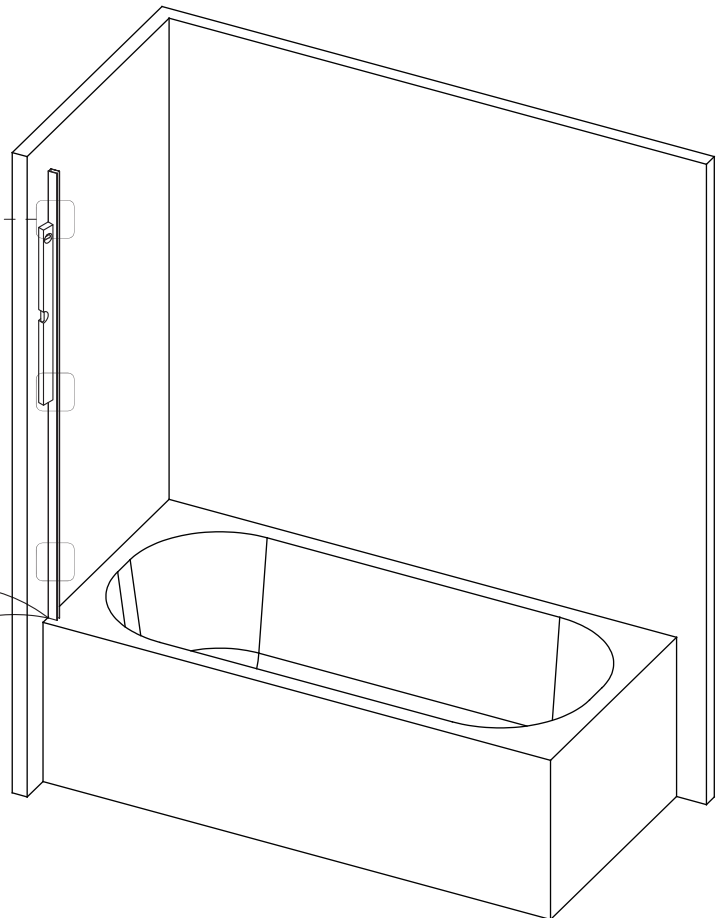
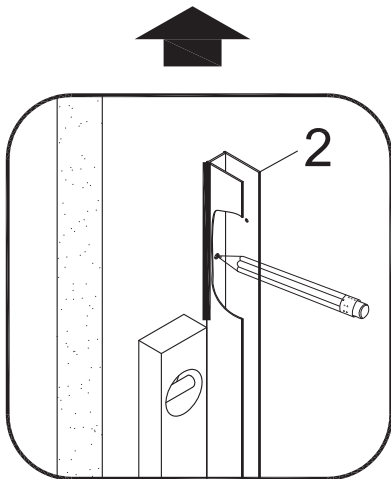
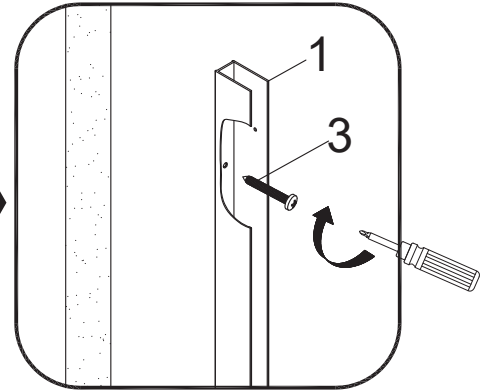
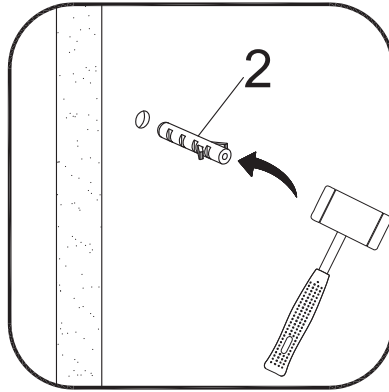
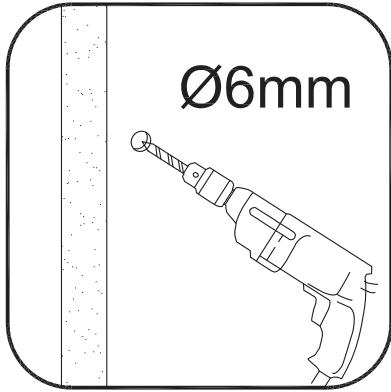
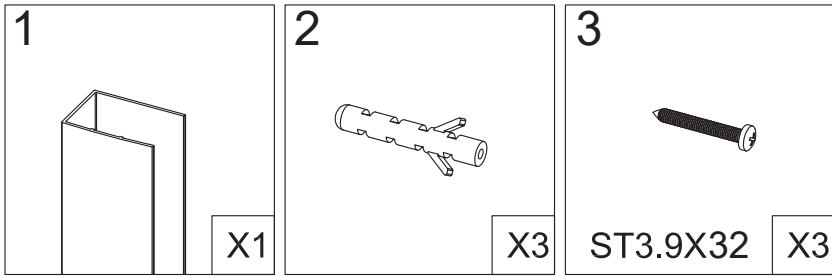
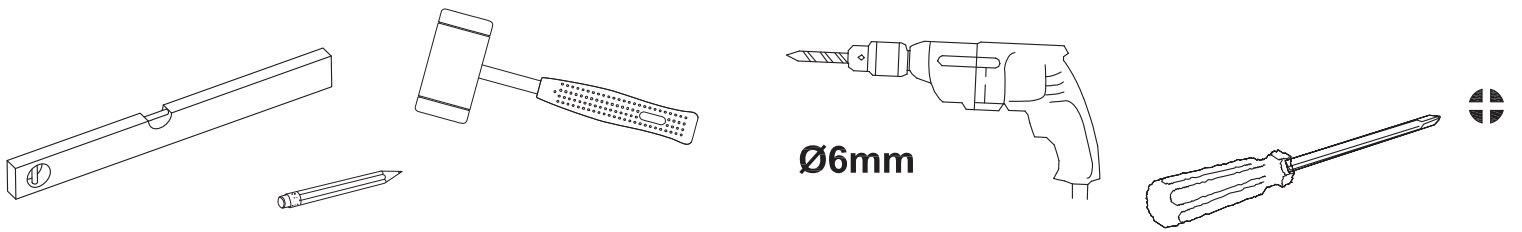


LA1200/1200B







1.Position the wall profile so the seal on the moving panel sits on the inside edge of the bath .**FIG 1.**

